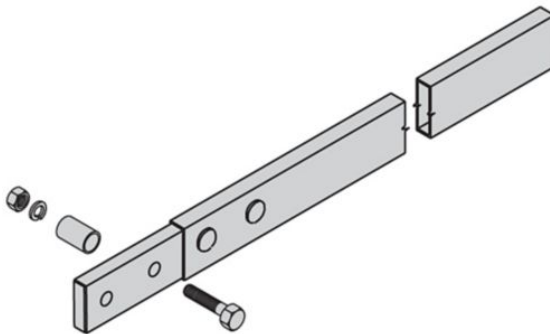


Eaton SB200203TG

Catalog Number: SB200203TG

Eaton auxiliary support tube, Steel tube, Pre-assembled tube, spacer and hardware included, Used as an auxiliary support, Telco gray powder coat, 2" X 9/16" Support tube

General specifications



Product Name
Eaton auxiliary support tube

Catalog Number
SB200203TG

UPC
799038015161

Product Length/Depth
3 in

Product Height
2 in

Product Width
0.5625 in

Product Weight
4.6 lb

Certifications
Not Applicable

Product specifications

Color

Computer white

Model

2" X 9/16" support tube

Material

Steel

Finish

Telco gray powder coat

Resources

Catalogs

[auxillary supports](#)

Specifications and datasheets

[Eaton Specification Sheet - SB200203TG](#)



Eaton Corporation plc
Eaton House
30 Pembroke Road
Dublin 4, Ireland
Eaton.com
© 2023 Eaton. All Rights Reserved.

Eaton is a registered trademark.

All other trademarks are property of their respective owners.



[Eaton.com/socialmedia](https://www.eaton.com/socialmedia)